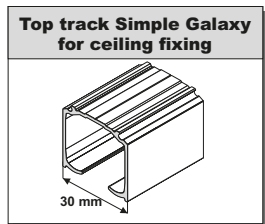
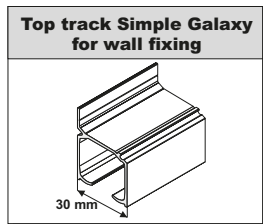


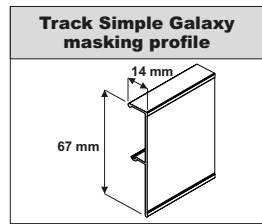
COMPONENTS



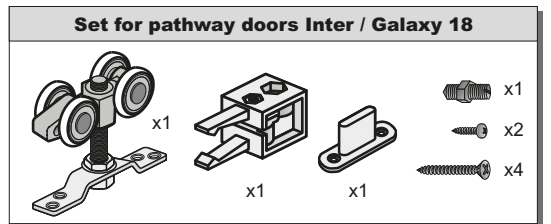
Length: 1.5 m, 2.0 m, 2.5 m, 3.0 m, 4.0 m, 6.0 m



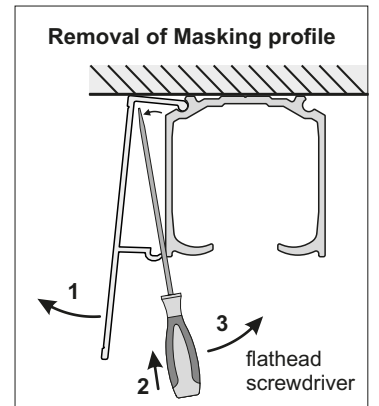
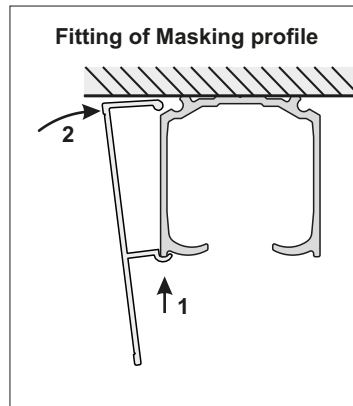
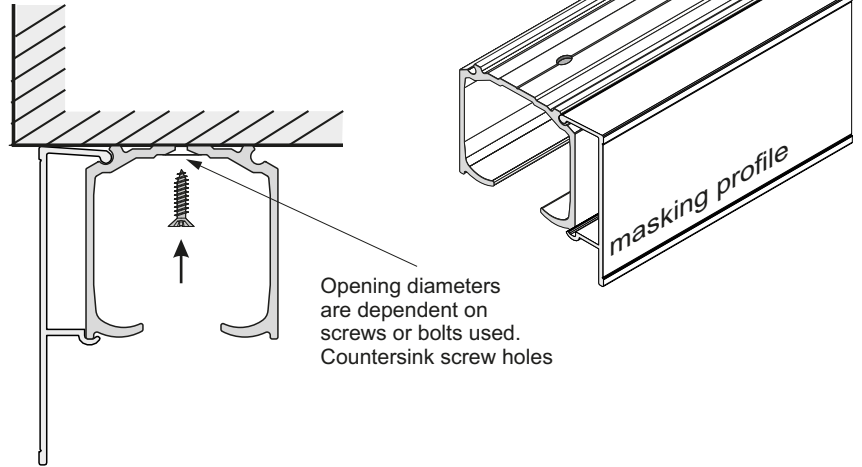
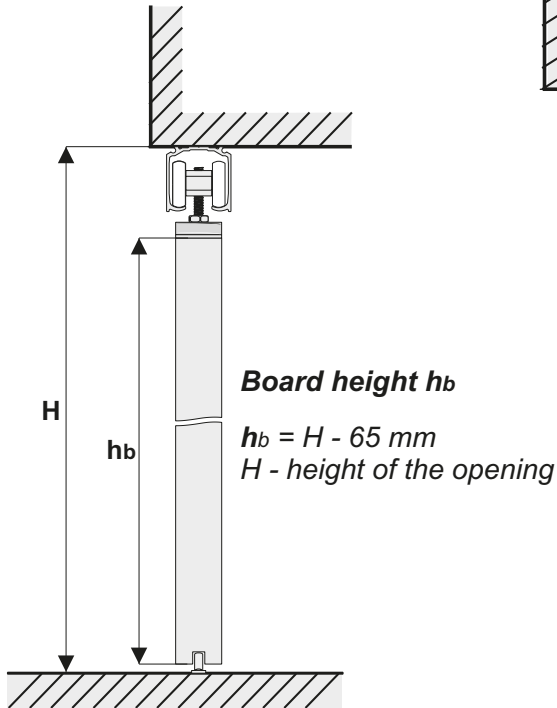
Length: 1.5 m, 2.0 m, 2.5 m, 3.0 m, 4.0 m, 6.0 m



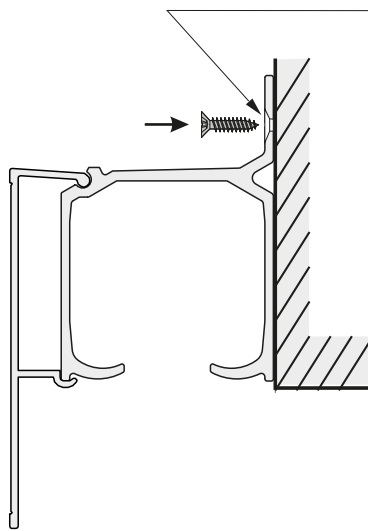
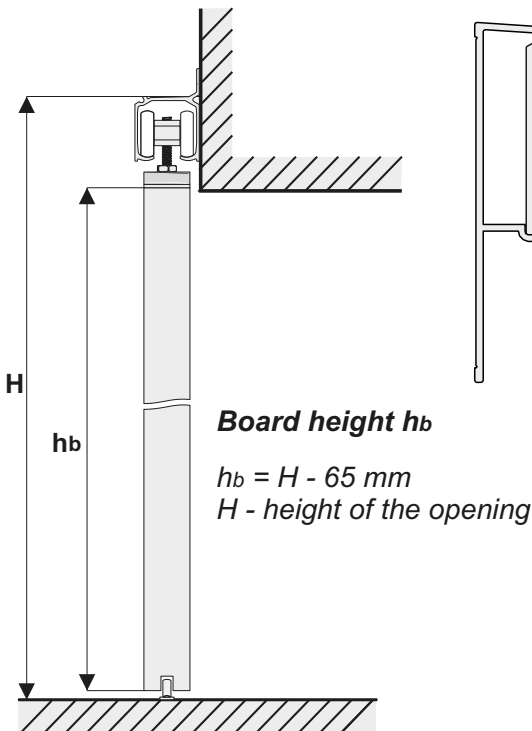
Length: 1.5 m, 2.0 m, 2.5 m, 3.0 m, 4.0 m, 6.0 m



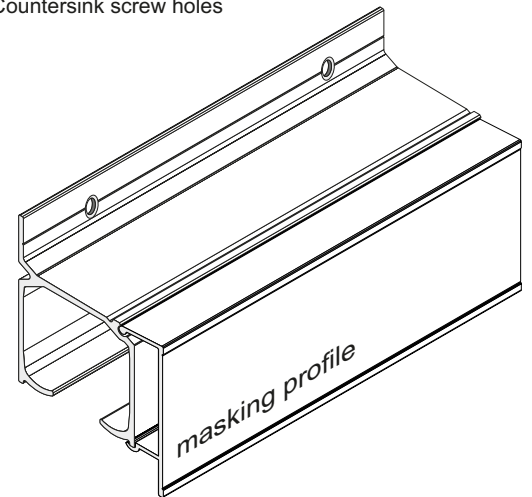
1. Track within the opening



2. Track outside the opening



Opening diameters are dependent on screws or bolts used. Countersink screw holes



ATTENTION!

In cases that after track installation there will be no room, insert carriages before installation.